

Data Sheet

40Gb/S QSFP+ Direct Attach Cable

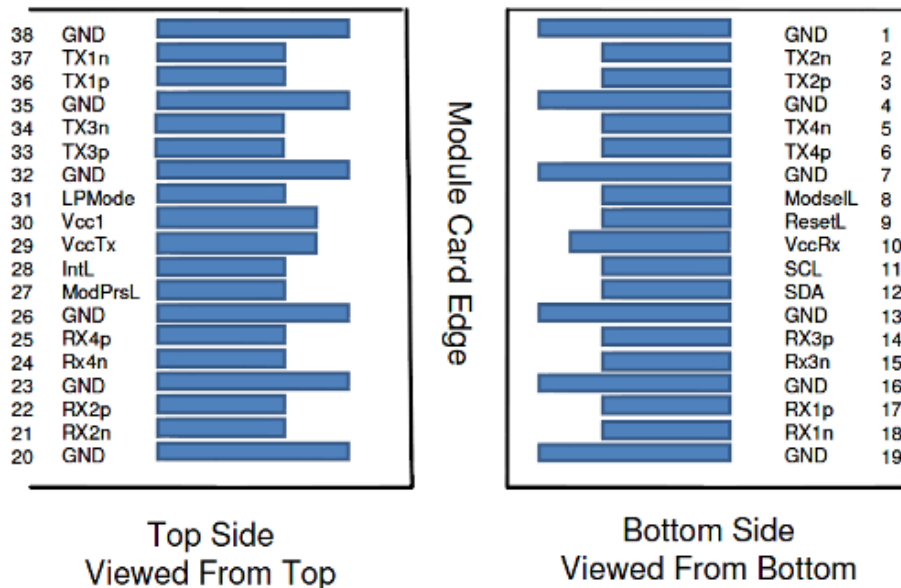
P/N: WST-QSFP+DACPx-x



Features:

- Compliant with IEEE 802.3ba
- Compliant with QSFP MSA and SFF-8436 / SFF-8431 / SFF-8074i
- 4 independent full-duplex channels
- Up to 10.3125 Gbps data rate per channel
- Single 3.3V power supply
- 0°C to 70°C case temperature operating range
- I²C management interface

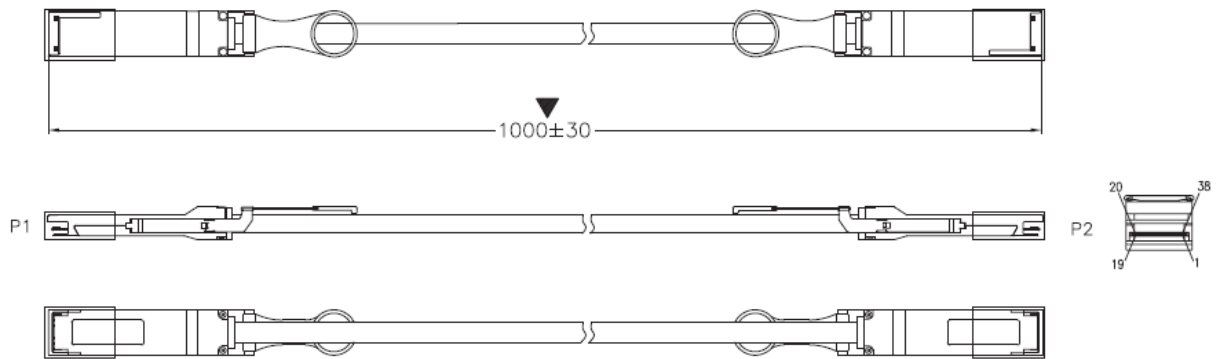
QSFP+ Module Pad Assignments and Descriptions



Pin	Logic	Symbol	Description	Notes
1		GND	Ground	
2	CML-I	Tx2n	Transmitter Inverted Data Input	
3	CML-I	Tx2p	Transmitter Non-Inverted Data Input	
4		GND	Ground	
5	CML-I	Tx4n	Transmitter Inverted Data Input	
6	CML-I	Tx4p	Transmitter Non-Inverted Data Input	
7		GND	Ground	
8	LVTTL-I	ModSelL	Module Select	
9	LVTTL-I	ResetL	Module Reset	
10		Vcc Rx	+3.3V Power Supply Receiver	
11	LVC MOS-I/O	SCL	2-wire serial interface clock	
12	LVC MOS-I/O	SDA	2-wire serial interface data	
13		GND	Ground	
14	CML-O	Rx3p	Receiver Non-Inverted Data Output	
15	CML-O	Rx3n	Receiver Inverted Data Output	
16		GND	Ground	
17	CML-O	Rx1p	Receiver Non-Inverted Data Output	
18	CML-O	Rx1n	Receiver Inverted Data Output	
19		GND	Ground	
20		GND	Ground	
21	CML-O	Rx2n	Receiver Inverted Data Output	
22	CML-O	Rx2p	Receiver Non-Inverted Data Output	
23		GND	Ground	
24	CML-O	Rx4n	Receiver Inverted Data Output	
25	CML-O	Rx4p	Receiver Non-Inverted Data Output	
26		GND	Ground	
27	LVTTL-O	ModPrsL	Module Present	
28	LVTTL-O	IntL	Interrupt	
29		Vcc Tx	+3.3V Power supply transmitter	

30		Vcc1	+3.3V Power supply	
31	LVTTTL-I	LPMode	Low Power Mode	
32		GND	Ground	
33	CML-I	Tx3p	Transmitter Non-Inverted Data Input	
34	CML-I	Tx3n	Transmitter Inverted Data Input	
35		GND	Ground	
36	CML-I	Tx1p	Transmitter Non-Inverted Data Input	
37	CML-I	Tx1n	Transmitter Inverted Data Input	
38		GND	Ground	

Mechanical Design Diagram



Unit: mm

Ordering Information

Part No	Specification					
	Package	Data rate Fiber	AWG	Cable Length	Temp.	Application
WST-QSFP+DACP0-H	Passive QSFP+	10.3125 Gbps per channel	30	0.5m	0~70°C	40G Ethernet& InfiniBand
WST-QSFP+DACP0-1	Passive QSFP+	10.3125 Gbps per channel	30	1m	0~70°C	40G Ethernet& InfiniBand
WST-QSFP+DACP0-2	Passive QSFP+	10.3125 Gbps per channel	30	2m	0~70°C	40G Ethernet& InfiniBand
WST-QSFP+DACP0-3	Passive QSFP+	10.3125 Gbps per channel	30	3m	0~70°C	40G Ethernet& InfiniBand
WST-QSFP+DACP6-5	Passive QSFP+	10.3125 Gbps per channel	26	5m	0~70°C	40G Ethernet& InfiniBand

Modification History

Revision	Date	Description	Originator	Review	Approved
V1.0	20-May-2019	New Issue	Ivy Chen	Wayne Liao	Wayne Liao
V1.1	18-Jun-2019	Update Order Information	ShaoYu Lee	Wayne Liao	Wayne Liao



Taipei Headquarters
16F-5, No. 75, Sec. 1,
Xintai 5th Rd., Xizhi
Dist., New Taipei City
22101, Taiwan
Tel: +886-2-2698-7208
Fax: +886-2-2698-7210

U.S. Branch
2080 Rancho Higuera Ct.
Fremont, CA 94539,
USA
Tel: 510-651-7800
Fax: 510-651-7822

ShenZhen Branch
610#, 6F, No.204
Building, 2nd Industrial
zone Nanyou, Nanshan
district, Shenzhen,
Guangdong China
518054
Tel: +86-755-86265980